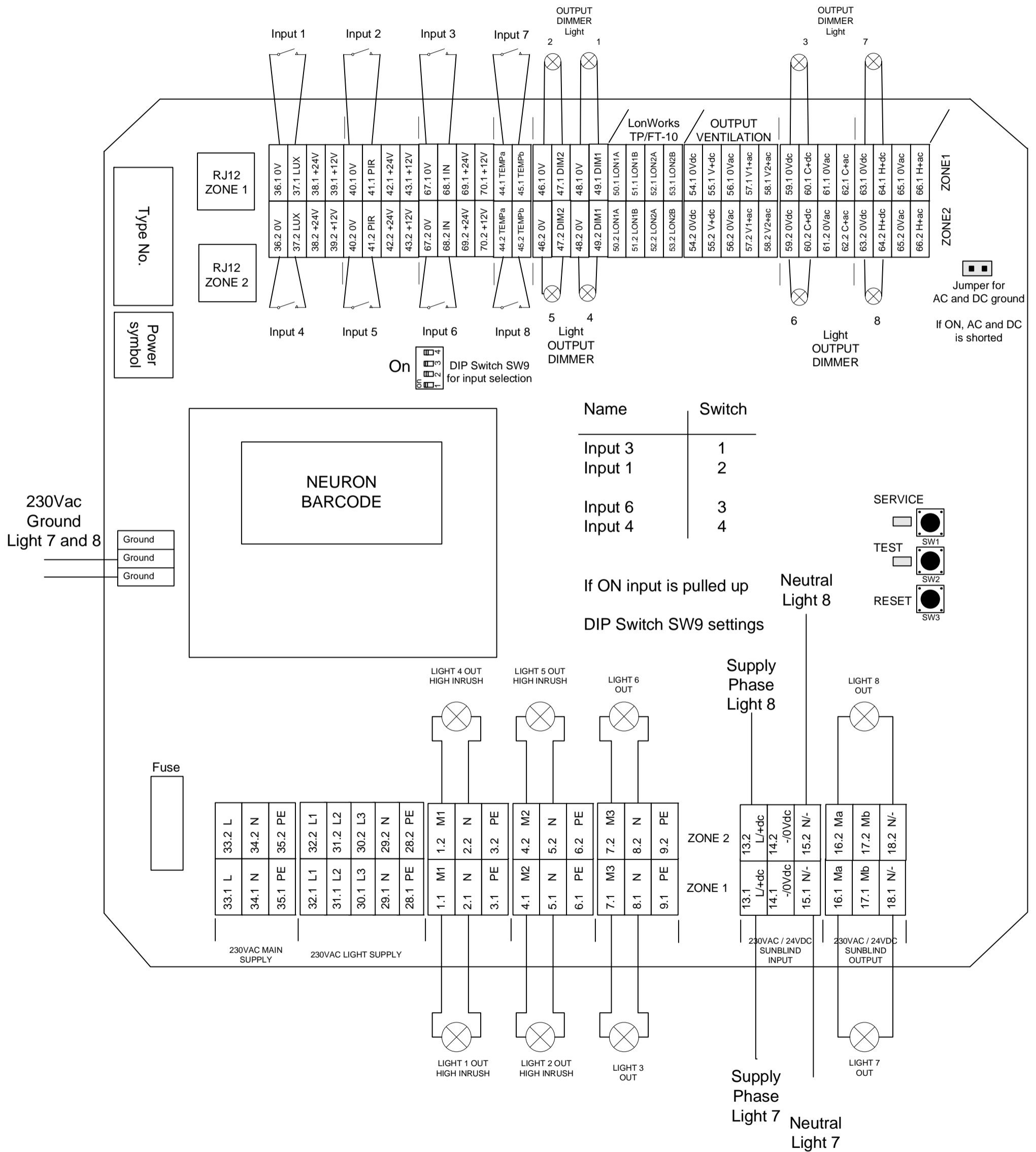


PLS4088 8 Channel Light Controller PCB Layout



DESCRIPTION	
Lonbox PLS4088 Layout	
DATE	DRAWN BY
27-10-2004	JRO